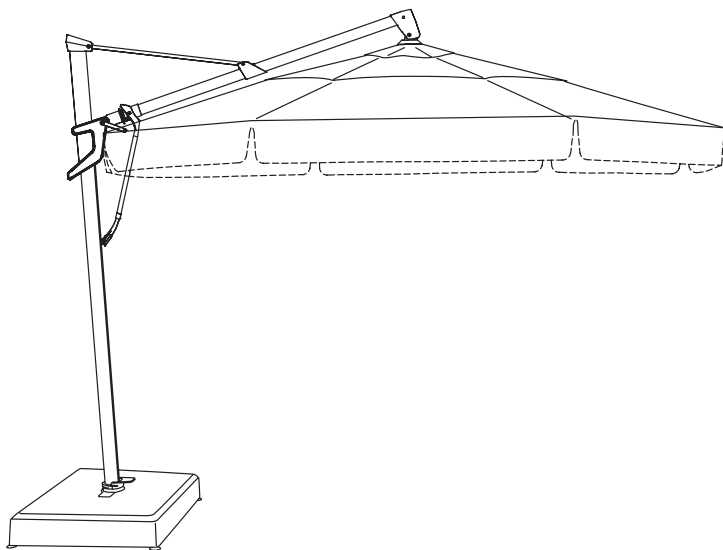




Assembly and Operation Guide



AKZ PLUS CANTILEVER



AKZP13LX 13' octagon



AKZP13 13' octagon



AKZPRT 10' x 13' rectangle



AKZPSQ11 11.5' square




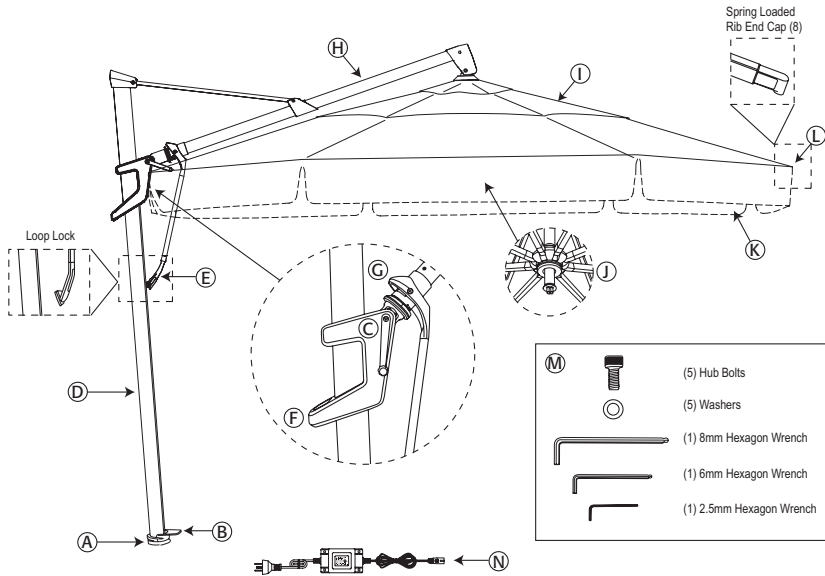
AKZP 11' octagon

Thank you for purchasing Treasure Garden's AKZ Plus Cantilever.
 Please remove all contents from the package, inspect and review checklist.
Some parts may be included in the styrofoam packaging.
Do not discard any packaging or box until assembly is complete.

CHECKLIST

- | | |
|---------------------------|---|
| A - (1) 360° Rotating Hub | H - (1) Canopy Support Beam |
| B - (1) Foot Pedal | I - (1) Canopy |
| C - (1) Crank Lift Handle | J - (1) Light Adapter (light sold separately) |
| D - (1) Main Frame | K - (1) Valance (optional) |
| E - (1) Tilt Lever | L - (8) Spring Loaded Rib End Cap |
| F - (1) Main Frame Grip | M - (1) Hardware Assembly |
| G - (1) Tilt Degree Scale | N - (1) Power Supply* (Starlux style only) |
| | O - (1) Protective Cover (not shown) |

***NOTE:** Use only the Power Supply included with umbrella. See page 9 for Safety Precautions. 



IMPORTANT:

Prior to assembly it is important to decide on the location of the umbrella.

- Allow ample height to avoid damage to your umbrella during assembly and usage.
- Choose a location that is level and sturdy.
- Avoid any sloping of soft ground.
- Consider a location that will maximize the umbrella's 360° rotating function. Placing the umbrella between two entertaining areas is idea.

CAUTION:

- Fully assembled, the umbrella weighs over 500 lbs. Moving umbrella fully assembled will increase the risk of damage to your umbrella and/or can cause serious injury. We recommend a two-person team for assembly and disassembly.

NOTE: REFER TO SEPARATE BASE OR MOUNT KIT MANUAL FOR BASE ASSEMBLY PRIOR TO PROCEEDING.

IMPORTANT:

For free standing base applications, it is imperative to install the appropriate base for your size cantilever. The minimum base weight recommended for each size is:

- 13' Octagon, 10' x 13' Rectangle and 11.5' Square AKZ Plus is 400 lbs.
- 11' Octagon AKZ Plus is 200 lbs.

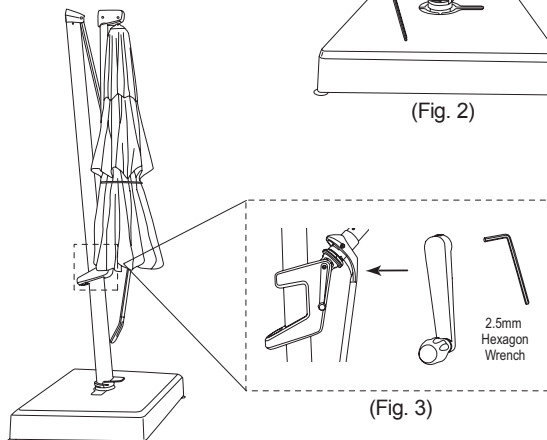
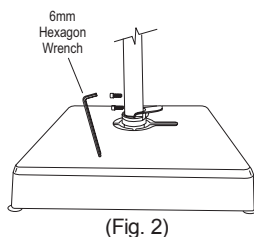
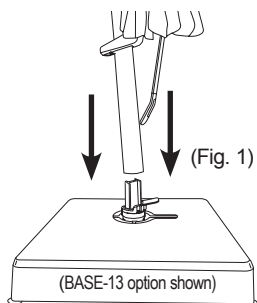
STEP 1 UMBRELLA ASSEMBLY

Two-persons recommended for team lift and to complete assembly.

With base cover in place or mount kit installed, insert the main frame onto the installed rotating hub (Fig. 1); align tilt lever with foot pedal. Assembled in upright position, insert the (2) bolts and (2) washers and tighten using 6mm hexagon wrench provided (Fig. 2). Install the crank lift handle onto the mid-area of the main frame. Use the 2.5mm hexagon wrench provided to lock in the small screw (Fig. 3).

REMOVE ALL PLASTIC PACKAGING MATERIAL FROM ALL PARTS PRIOR TO OPENING UMBRELLA. CHECK UNDER CANOPY FOR PACKAGING AROUND RIBS.

Your umbrella is now ready for use!

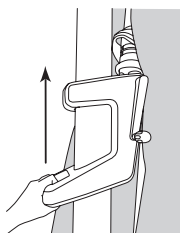


STEP 2 OPENING UMBRELLA

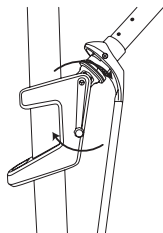
Position yourself behind umbrella. Squeeze the main frame grip handle and slide handle midway up main frame (Fig. 4). **NOTE:** It may be necessary to give the canopy structure a gentle push outward while squeezing the main frame grip handle. Release grip handle to lock into place. Slowly turn the crank lift handle clockwise to open the umbrella (Fig.5). Crank the handle an extra half turn to lock the canopy structure into place.

CAUTION: When cranking umbrella open, if you feel resistance and the umbrella is not opening, do not force crank. Gently spread umbrella ribs with hands, then continue to crank open. Once fully opened, squeeze the main frame grip handle to release lock and continue to slide handle upward until desired height is reached (Fig. 6).

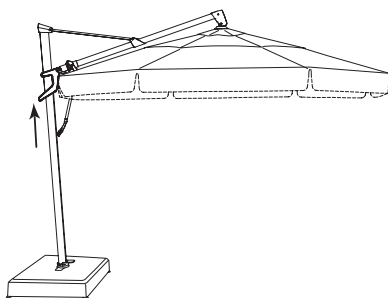
WARNING: Do not continue to crank once umbrella canopy is completely open, it may impair your ability to disengage the tilt lever. Keep hands free of mainframe while moving grip handle up and down.



(Fig. 4)



(Fig. 5)



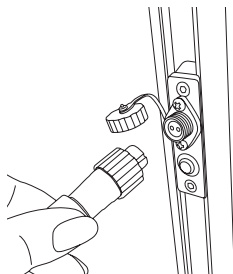
(Fig. 6)

STEP 3 UMBRELLA LIGHTS (STARLUX STYLE ONLY)

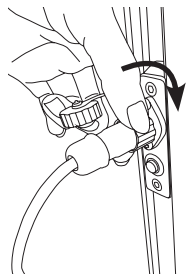
From the lower backside of the frame, remove plug cap (Fig. 7). Line up power supply grooves to plug (Fig. 8) and insert power supply plug. Secure plug by turning locking ring clockwise (Fig. 9). Connect other end of power supply into wall outlet (Fig. 10).



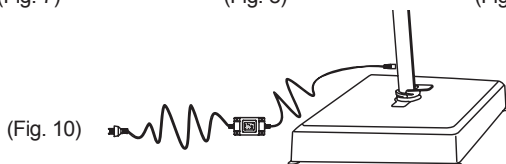
(Fig. 7)



(Fig. 8)

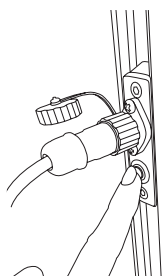


(Fig. 9)

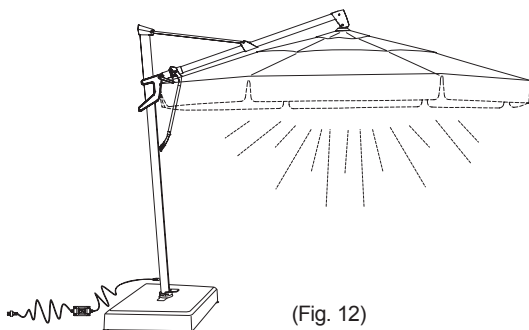


(Fig. 10)

Turn umbrella lights on by pressing button located under plug (Fig. 11). Lights will initially turn on high setting (Fig. 12). For low setting, press button once more. To turn off lights, press button a third time. **WARNING:** We do not recommend use of lights while raining. See Safety Precautions on page 9.



(Fig. 11)



(Fig. 12)

When lights are not in use, unplug power supply from wall and umbrella. Store power supply in dry, cool area to keep from damaging.

NOTE: The transformer output power is 5VDC 2A. It is normal for transformer to get warm after long period of use. Avoid sun and water on power supply to increase lifetime use. Be sure not to drop transformer. **NOTE:** Use only the Power Supply provided.

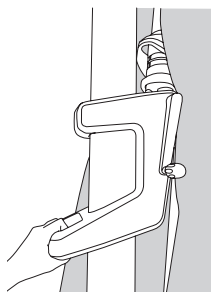
STEP 4 TILTING UMBRELLA

To Tilt Canopy Vertically:

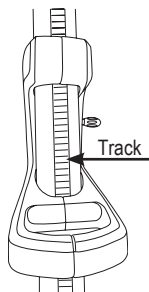
IMPORTANT: PRIOR TO USING TILT FEATURE.

To avoid personal injury or damage to the umbrella, make sure the area behind you is clear and free from any furniture or structure.

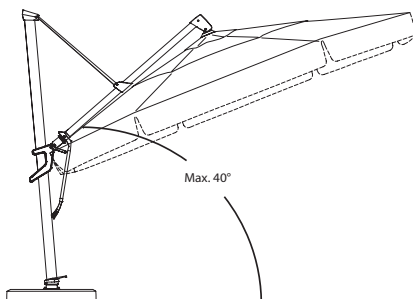
Position yourself behind umbrella. Squeeze main frame grip handle (Fig. 13) to disengage from track (Fig. 14) and guide main frame grip down main frame until desired degree of vertical shade is reached (maximum back angle of 40° from ground level) (Fig. 15). Release grip handle to lock into place. **WARNING:** Make sure tilt is secure in track. Do not tilt umbrella past the track. Keep hands free of main frame while moving grip handle up and down.



(Fig. 13)



(Fig. 14)



(Fig. 15)

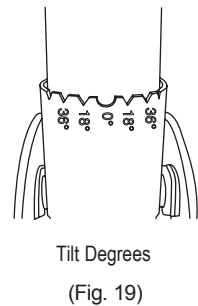
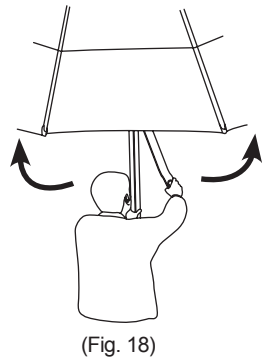
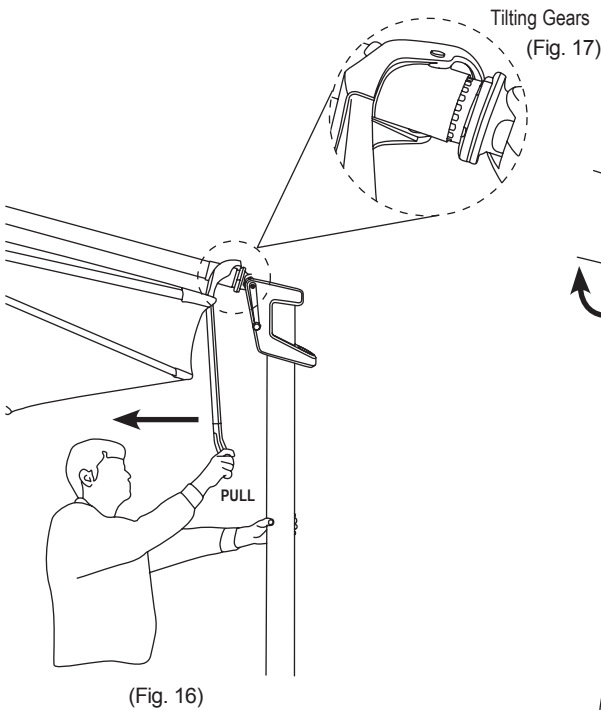
To Tilt Canopy Horizontally:

IMPORTANT: PRIOR TO USING TILT FEATURE.

To avoid personal injury or damage to the umbrella, make sure the area behind you is clear and free from any furniture or structure.

Make sure canopy is fully OPEN. Position yourself in front of the tilt lever and pull loop lock from main frame track (Fig. 16). Pull out further to disengage tilting gears and reveal gear teeth (Fig. 17). Move the tilt lever to the left or right, opposite the desired tilt direction (Fig. 18). Use the tilt degree scale as a guide (Fig. 19). Now, push forward slightly to re-engage tilting gear teeth. Move tilt lever to center position (canopy should be moving also) and snap the loop lock back into main frame track.

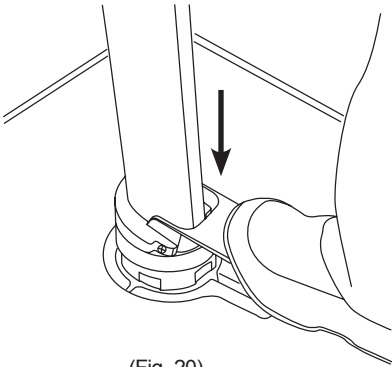
NOTE: We do not recommend tilting vertically and horizontally at a maximum tilt degree for a prolonged period of time. Doing so may result in damage to umbrella.



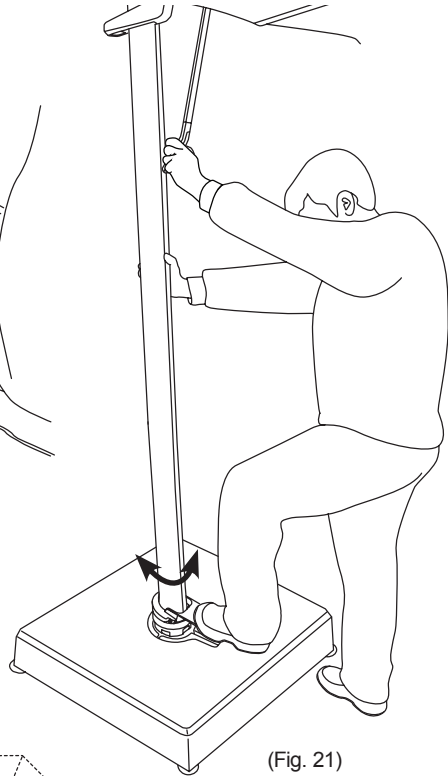
STEP 5

ROTATING UMBRELLA

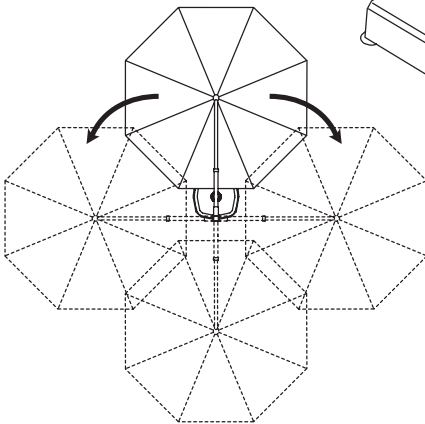
Place your foot on the foot pedal of the rotating hub and step-on the foot pedal to release rotating lock (Fig. 20). Place one hand on the main frame and one hand on the tilt lever (Fig. 21), swivel the umbrella frame in either direction until desired position is reached (Fig. 22). Step off the foot pedal to engage rotating lock and lock position (you will hear the pedal click, as it reaches the next available lock position).



(Fig. 20)



(Fig. 21)



(Fig. 22)

STEP 6

LIGHT ADAPTER FEATURE

To Open Light Adapter:

- Loosen the light adapter built into the umbrella runner by turning counter-clockwise (Fig. 23).
- After loosening, pull down light adapter post (Fig. 24).

To Open and Attach Umbrella Light: (*light sold separately*)

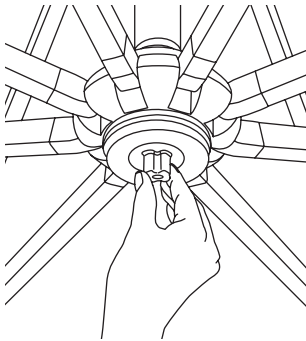
- Open the umbrella light and attach to light adapter post (Fig. 25).
- Snap to close (Fig. 26).

To Remove Umbrella Light and Close Light Adapter:

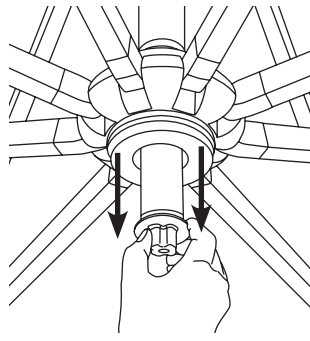
- Remove umbrella light from light adapter post (Fig. 25).
- Gently push up the light adapter post back into umbrella runner and tighten turning clockwise (Fig. 23).

Note:

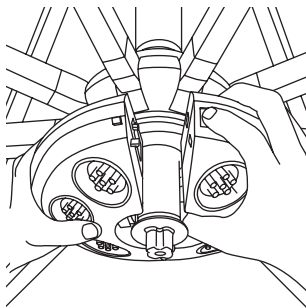
- It may be necessary to lower umbrella to a reachable height to pull light adapter down and attach umbrella light.
- It is not necessary to remove light to close umbrella.



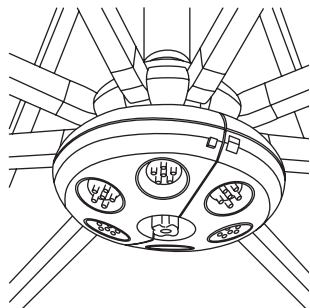
(Fig. 23)



(Fig. 24)



(Fig. 25)



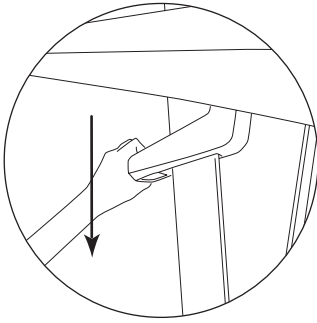
(Fig. 26)

STEP

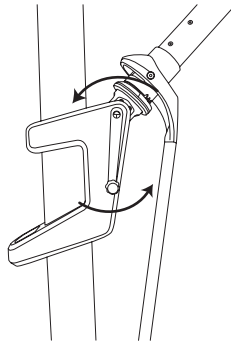
CLOSING UMBRELLA

Position yourself behind umbrella. Squeeze the main frame grip handle and slide handle midway down main frame (Fig. 27). Release grip handle to lock into place. Slowly turn the crank lift handle counter-clockwise until the canopy is fully closed (Fig. 28). Squeeze main frame grip handle to release lock and continue to slide grip handle downward SLOWLY until umbrella is fully closed in an upright position (Fig. 29) and locks into position.

NOTE: Prior to closing ensure that the canopy is in a level (non tilt) position. Properly store umbrella when not in use. Close umbrella, tie string around canopy and cover umbrella with provided protective cover.



(Fig. 27)



(Fig. 28)



(Fig. 29)

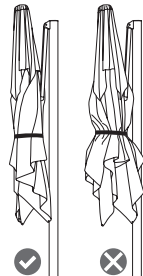
CARE AND MAINTENANCE

TO PROPERLY FOLD CANOPY:

The canopy will last longer if you fold it as it was packed and shipped. This technique is similar to the way a parachute is folded and is especially important when folding the canopy for seasonal storage or when left in the closed position for an extended period of time.

Using this technique at all times will significantly extend the life of the canopy.

- When the umbrella has been fully closed, stand in front of the canopy structure and begin the folding process by pulling out two panels opposite the main frame. Pull the two panels together and roll tight into the canopy.
- Once rolled tight, pull adjacent panels out one at a time and fold to the center, alternating sides until all the panels have been pulled out from the arms and folded into the center.
- Tie string around canopy and cover umbrella with provided protective cover.



SAFETY PRECAUTIONS

- To reduce risk of personal injury in which a person is injured or harmed, and/or damage to personal property, read and follow the Assembly Guide prior to assembling and operating umbrella and base.
- Close and store the umbrella in windy conditions or when a storm approaches. Never allow the umbrella to flap in the wind; this could cause personal injury, damage to personal property, damage to umbrella and/or umbrella canopy. Do not use tilting function during windy conditions.
- Keep umbrella secured to umbrella base at all times.
- Do not leave open umbrella unattended. If damage occurs, this is not covered by the warranty.
- When adjusting the umbrella, make sure that no person(s), item(s) or personal property are close to the umbrella. This is important to prevent injury or material damage.
- Do not allow children to play on or with umbrella or umbrella base.
- When adjusting or assembling the umbrella or umbrella base, make sure fingers, toes or any other parts of the body are clear from moving parts. Failing to do so may result in serious injury.

Starlux Style Only:

- Do not operate the Starlux power switch or attempt to charge the umbrella in inclement weather (rain, snow) so as to prevent damage to the electrical components.
- When Starlux lights are not in use, unplug power supply from umbrella and put the cap back onto the plug to protect the electrical components inside.

Rechargeable Battery Pack (*sold separately*) and Power Supply:

- Discontinue battery usage if leakage is found. Contact your local authorized dealer for a replacement.
- Do not disassemble rechargeable battery pack.
- Do not leave rechargeable battery pack in sun, it will affect battery life.
- Never use a third party battery or power supply. Doing so may increase risk of fire or explosion. Contact your local authorized dealer for a replacement rechargeable battery pack or power supply.
- During prolonged use, it is normal for the power supply to be warm to the touch. When using power supply, avoid direct sunlight and exposure to moisture.
- Do not attempt to charge the umbrella in inclement weather (rain, snow) so as to prevent damage to the electrical components.

Power Supply Information

Input voltage: 100~240VAC 50/60Hz 0.9A Max

Output: 24VDC 1.5A

17' Cord

Rechargeable Battery Pack Information (*sold separately*)

Input: 24VDC 1.5A

Output: 20VDC 1.0A

CARE AND MAINTENANCE

- When not in use, close and cover umbrella with provided protective cover.
- Store rechargeable battery pack and power supply in dry place.
- Allow a wet canopy to dry while in open position, but do not leave unattended.
- If necessary, clean the fabric with lukewarm water, mild detergent, and a sponge.
- Wipe sliding marks on the aluminum poles with a damp cloth.

Winter Storage:

- Store in a dry place.

After the Winter:

- Check the condition and function of the umbrella. Any defects must be repaired by a professional.

WARRANTY:

Treasure Garden warrants this product (for residential use ONLY) to be free from defects in original materials and workmanship for a period of 2 years from the date of purchase. If a defect in the original material or workmanship appears during the warranty period; Treasure Garden will (at its discretion) repair or replace the product without charge.

Simply contact your original authorized Treasure Garden dealer with a description of the defect. The dealer will verify the defect and work closely with Treasure Garden to obtain the necessary service. In many cases, simple problems can be solved with a replacement part that can be shipped directly to the dealer for professional installation / repair.

In the event that warranted factory service is required, Treasure Garden will assume the responsibility of the return freight

charges on warranted product for the first year only.

Returned product that (upon receipt and inspection) is deemed to be "not covered" under our warranty, will be shipped / billed at your expense.

This warranty gives you specific legal rights, and you may have other rights which vary from state to state.

RUST: Rust is a natural part of the aging process of steel or iron based materials, and is therefore NOT considered a defect.

NOTE: Failure caused by unreasonable or abusive use, or failure caused by neglect of reasonable and necessary care are not covered by this warranty.

Additionally, acts of nature (including but not limited to wind, hurricanes, tornadoes, and storms) are not covered by this warranty.



www.treasuregarden.com

©2021 Treasure Garden, Inc. - All Rights Reserved.
v.05.18.21